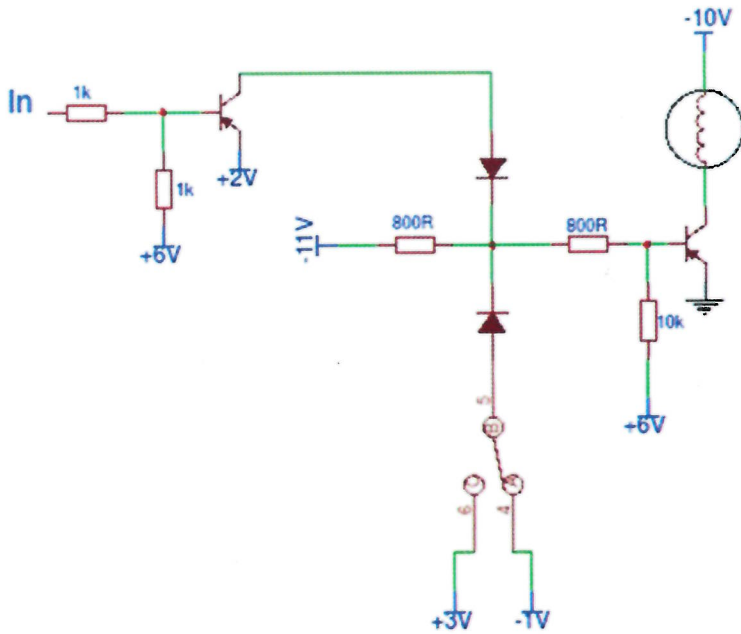


8 Circuit Analysis



All components are germanium devices.

- With no signal on the input and the switch closed as shown, what state will the lamp be in?
- If the switch is changed over (5 connected to 6), what state will the lamp be in?
- If a 1Hz square wave (peak max +6V; peak min -8V) is fed into the input with switch in position 5 to 6, what state will the lamp be in?
- Lamp state with 1 Hz square wave input as above but switch in position 5 to 4?
- Lamp state with the input connected to 0Volts and switch in position 5 to 4?